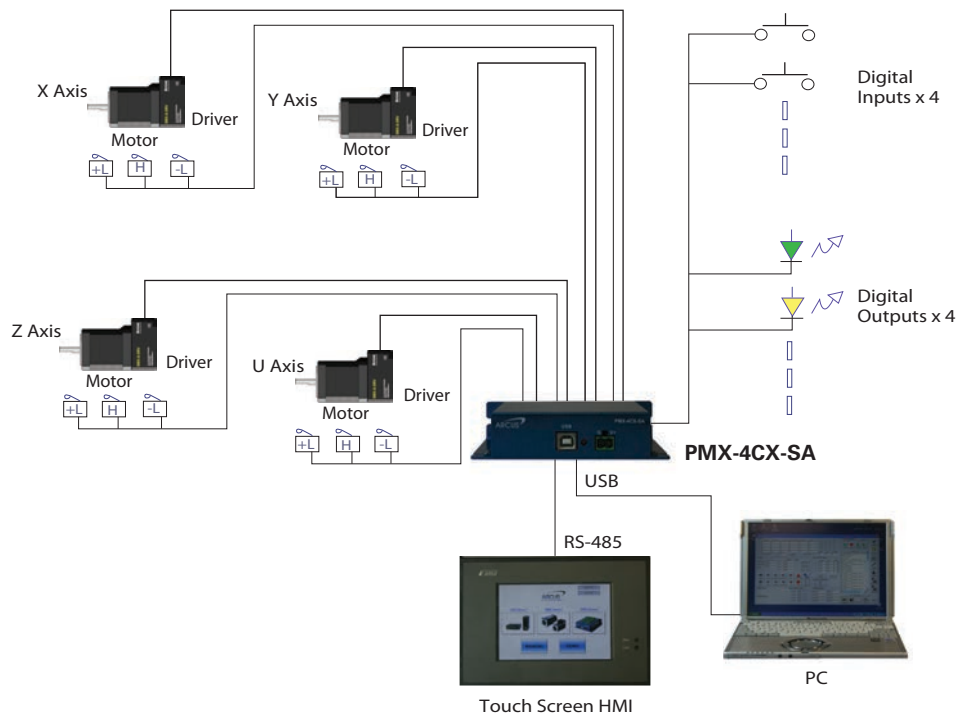




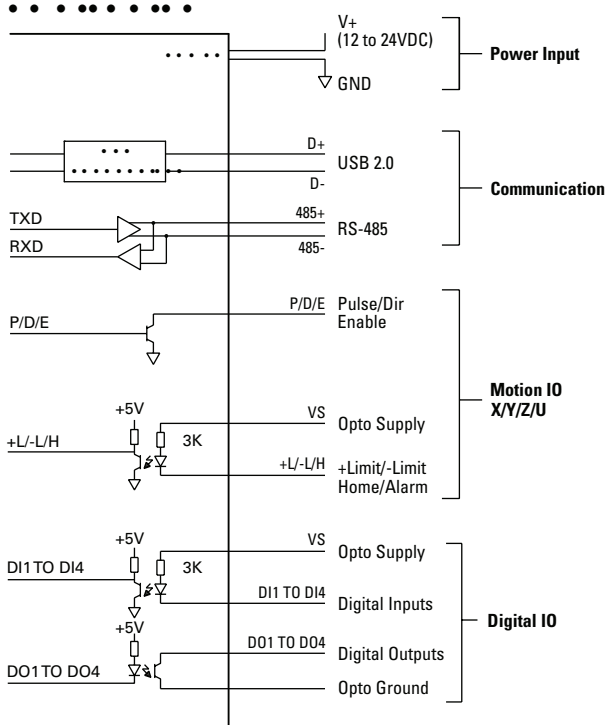
Specifications

- 4 Axis Basic Motion Controller
- USB 2.0 and RS-485 Communication
- 400K maximum pulse rate output
- Trapezoidal acceleration
- Pulse/Dir/Enable open collector outputs per axis
- Opto-isolated +Limit, -Limit, and Home inputs per axis
- Opto-isolated Digital Inputs (4)
- Opto-isolated Digital Outputs (4)
- BASIC-like standalone programming language
- Multi-task programming support

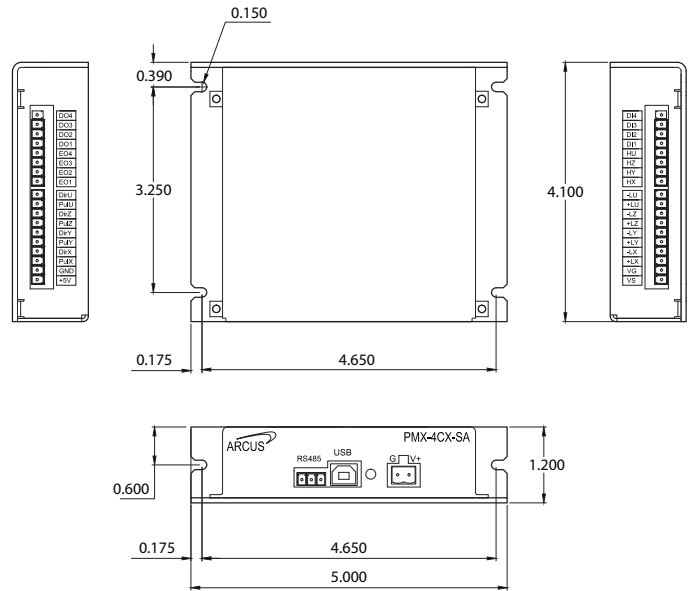




Electrical Interface



Dimensions



Options



VMX-30: 3.3"; 16 gray scale, RS-232/422/485



VMX-51: 5.7"; 16 gray scale, RS-232/422/485
 VMX-70: 7.0"; 65K color, RS-232/422/485